

# Pneumatic tents and showers

Product catalogue





## Contents

### Pneumatic tents and showers

Universal tents	Page 6
Decon tents	Page 10
Decon showers	Page 14
Tent customization	Page 18
Inflation and deflation – Pneumatic tents	Page 20
Equipment – Pneumatic tents	Page 21
Climate control – Pneumatic tents	Page 24
Water supply – Pneumatic tents	Page 25

### Vetter resistance list

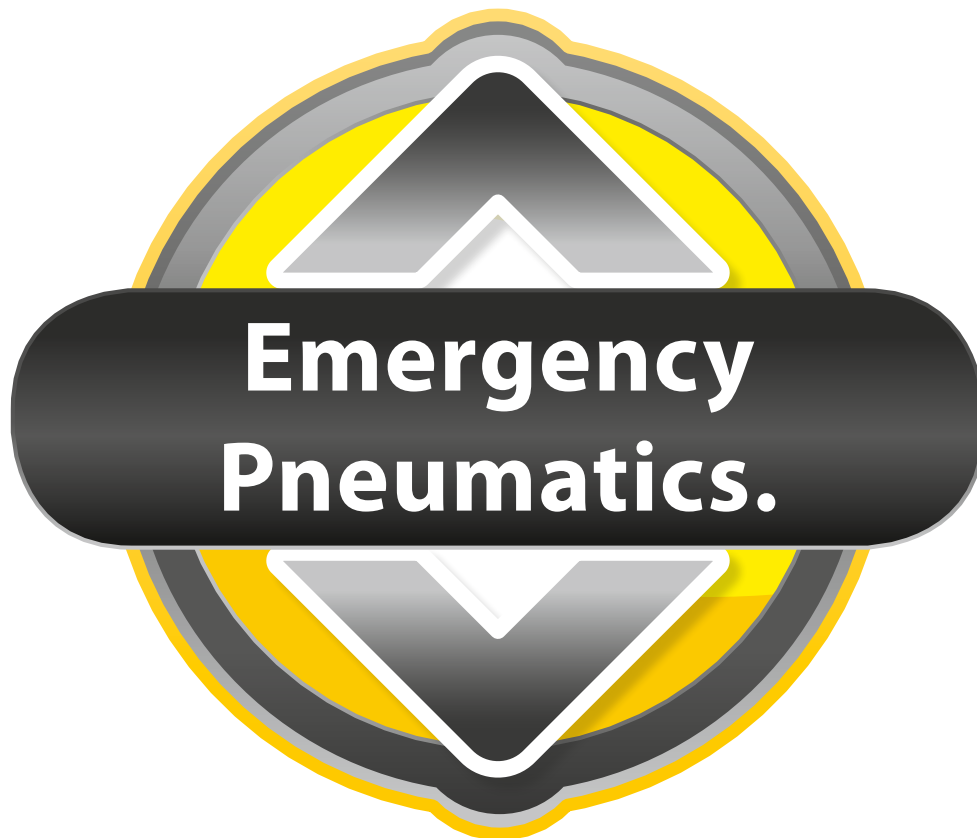
Temperature resistance, material and resistance list	Page 28
------------------------------------------------------	---------

# Emergency Pneumatics.

Equipped for emergencies

## Vetter has products for professionals:

For decades, we have been the leading supplier of emergency pneumatics. Our entire portfolio is especially developed and tested for use in rescues. We therefore guarantee you the maximum functionality of our products – even under extreme conditions. You can rely on that.





### **Vetter knows you.**

For more than 50 years, we have been the reliable partner for fire services and rescue services all over the world. Our know-how and the experience of our customers is incorporated into the continuous development of our products. In this way you always receive well thought-through emergency pneumatics from Vetter, which you trust. This means that you can fully concentrate on your assignment.



### **Vetter supports you.**

Highly specialised pneumatics is our core business. You benefit from a full range of emergency pneumatics, completely developed by our engineers in Germany. Vetter has a broad portfolio across all pressure ratings, materials and designs. We always consider the needs of our customer. Thus, our 12 bar lifting bags already represent the next generation of modern rescue technology.



### **Vetter listens to you.**

Together with you, we select the equipment that before suits your operational scenarios. Our worldwide dealer network is there for you – before, during and after your purchase. Vetter also offers you a test service, with which our products are tested regularly on site. This means you remain operational at all times.



### **You can trust Vetter.**

Controlled manual work and high-quality raw materials are the basis for the success of our emergency pneumatics. Each product is tested individually before it is delivered, so that nothing goes wrong during its use. You can see this for yourself thanks to our inspection seal. By the way: almost all Vetter's rescue products are made in Germany.



# Universal tents

## Your pneumatic tent for all applications

- › instantly ready for use
- › 20 m<sup>2</sup> set up in just 1 minute
- › 12–40 m<sup>2</sup> usable floor space
- › extensive basic equipment

We have developed our Vetter universal tents especially for the special requirements of fire brigades. Because of their easy handling and the self-erecting support frame, only a few firefighters are required for assembly and dismantling. The compact packing size and low weight also make transport to the place of use easy and convenient. The result: With our pneumatic tents, you can quickly create a protective space for comrades or injured persons.

Connect tents quickly and easily with Velcro fasteners or directly with containers. Vetter universal tents are suitable for various uses, e.g. as accommodation for large operations or for setting up a triage. Several tents can be quickly and easily connected to each other or to containers using Velcro fasteners. In addition, you can supplement all universal tents for deconstruction measures with Vetter shower units.

### Pneumatic universal tents for rapid deployment

- › set up by two people
- › ready to use in less than three minutes
- › flexible, mobile and easy to handle
- › long service lives
- › independent of power supply (by using an air cylinder)
- › one-piece system without loose parts
- › everything in one packaging unit



## Vetter universal tents: Extensive equipment already in the basic version



Tarpaulin and floor can be removed separately. This makes the tents particularly flexible for use and when cleaning.



Numerous windows always provide sufficient light and ventilation.



### In operation ...



- › as a mission control center
- › as a weather-protected changing tent
- › as a team tent for large events
- › when setting up a triage



### Good reasons:

- › multi-functional inflating connection enables inflation with compressed air bottle or blower
- › can be used for several days without re-inflating
- › patented fastening net in the roof area optionally available



### Guaranteed quality:

- › Individual test (seal of approval)
- › Integrated safety valve against over-inflation
- › High-quality, durable support frame
- › PU tarpaulin material mold resistant and flame retardant (DIN 4102 B1)



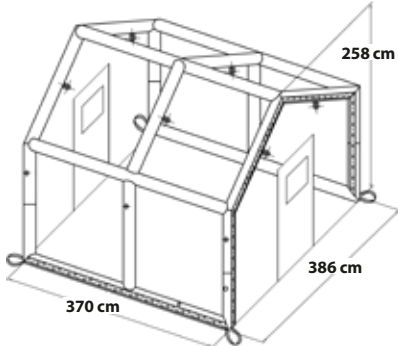
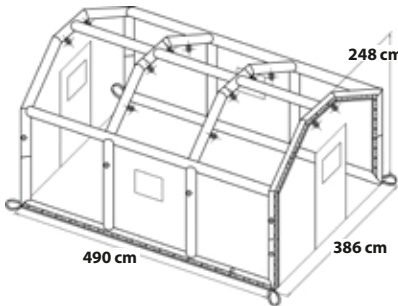
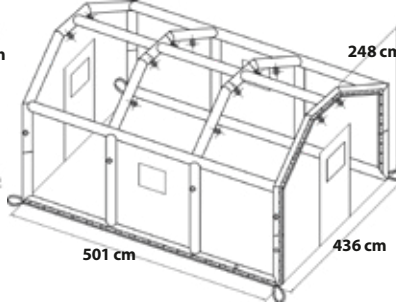
The entry tarpaulins can be rolled up partially or completely. Alternatively, they can also be completely removed.



All universal tents can also be individually labeled according to your specifications.

# Vetter universal tents in comparison

## Universal tents

Product	PZ 12 m <sup>2</sup>	PZ 17 m <sup>2</sup>	PZ 20 m <sup>2</sup>
			
<b>Article number</b>	1520002901	1520000401	1520004701
<b>Setup time</b> Sec.	40	50	55
<b>Dimensions, outside</b> cm (L x W x H)	370 x 386 x 258	490 x 386 x 248	501 x 436 x 248
<b>Dimensions, inside</b> cm (L x W x H)	370 x 350 x 240	490 x 350 x 230	501 x 400 x 230
<b>Air requirement</b> Liters	1,632	2,025	2,332
<b>Packing size</b> cm (L x W x H)	110 x 85 x 40	110 x 85 x 60	110 x 85 x 60
<b>Weight, approx.</b> kg	55	65	75
<b>Can be connected with</b>	PZ 12	PZ 17	PZ 20
<b>Number of windows</b>	2	4	4

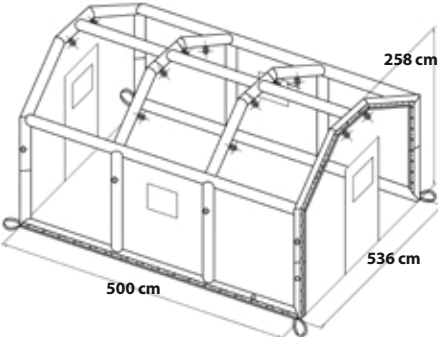
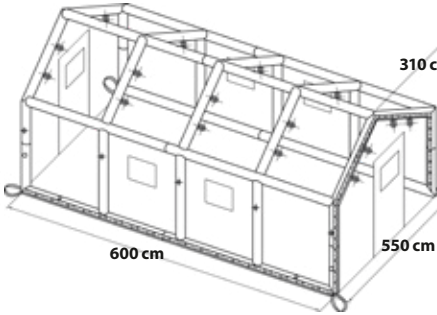
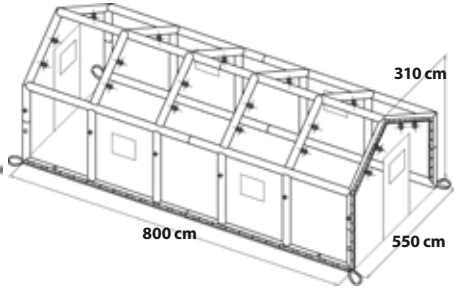
Universal tents: Operating pressure: 0.5 bar, test pressure: 0.65 bar

### Delivery scope universal tents:

- › inflatable tent frame incl. tensioning ropes
- › removable tent tarpaulin with separate entrance tarpaulins (can be rolled up partially or completely)
- › removable tent floor
- › Fastening loops in the tent interior, e. g. for lamps
- › 1 door on each front
- › sufficient number of windows

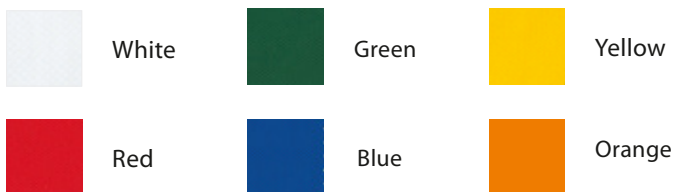
The universal tents PZ 30 and PZ 40 are equipped with two air chambers for faster inflating. Each tent comes with an accessory bag including hammer, pegs and repair material. All equipment is supplied in a practical packing unit with carrying handles.



PZ 25 m <sup>2</sup>	PZ 30 m <sup>2</sup>	PZ 40 m <sup>2</sup>
		
<b>1520008901</b>	<b>1520009402</b>	<b>1520010602</b>
120	130	150
500x536x258	600x550x310	800x550x310
500x500x240	600x514x290	800x514x290
2,568	2,866	4,060
110x85x60	110x85x60	110x85x85
85	104	117
PZ 25	PZ 30, PZ 40, PZ 40 3 L	PZ 30, PZ 40, PZ 40 3 L
4	6	6

Universal tents: Operating pressure: 0.5 bar, test pressure: 0.65 bar

### The Vetter standard colours



Would you like another colour or a special size? No problem! We are happy to produce all sizes or colours individually for you. Just give us a call: **+49 (0) 22 52 / 30 08-0**

## Decon tent PZ 17 2 L

### Decontamination of civilians or deployment teams

- › ready for use in only 5 minutes
- › gender partitioning
- › for up to 4 persons simultaneously
- › combination of shower and changing

With the PZ 17 2 L, you can decontaminate both civilians and task forces. Thanks to a longitudinal partition wall, the tent is divided into two decontamination lines. These two lines offer enough space for separate showers for men and women. The two shower units are also divided into an undressing, shower and dressing area. The continuous drip tray in the shower area prevents liquid from entering the rest of the tent. The separate water supply allows you to control the quantity of water or with individual temperature adjustment. The colour coding of the openings in the tent tarpaulin provides practical orientation during use (blue: Water, red: Heating or power, green: compressed air). If required, you can easily connect the universal tent PZ 17 as an additional supply or accommodation tent with the PZ 17 2 L and thus extend the functional radius.



With the PZ 17 2 L, you are able to decontaminate on two lines simultaneously.

## Technical data\*

Decon tent PZ 17 2 L	Setup time Sec.	Size, outside (L x W x H) m	Size, inside (L x W x H) m	Air requirement Liters	Pack size (L x W x H) m	Weight, approx. kg	Drip tray Liters
<b>17 m<sup>2</sup>, 2 lines</b> 1520047000	100**	4.9x3.86x2.48	4.9x3.5x2.3	2,664	1.1x0.85x0.6	102	980

\*Technical data subject to change. | \*\*when inflated with Vetter blower.

### The Vetter standard colours



Would you like a different colour?

No problem! Just give us a call:

**+49 (0) 22 52 / 30 08-0**

### Scope of delivery Decon tent PZ 17 2 L:

- › inflatable tent frame incl. tensioning ropes
- › removable tarpaulin with removable entrance tarpaulin
- › 4 doors (2 in each entrance tarpaulin)
- › 4 windows (2 in each input plane)
- › detachable longitudinal partition wall to divide the tent into the 2 lines
- › removable tent floor
- › 2 separate shower units and shower hoses
- › made of polyester fabric, PVC coated on both sides (other qualities on request)
- › 2 Decon hand showers and 2 decon spray showers (2 showers per shower unit)

Each tent comes with an accessory bag including hammer, pegs and repair material. All equipment is supplied in a practical packing unit.

### Recommended accessories

#### Floor gratings for decon shelters

- › 50 x 50 x 5 cm
- › gray



**1520039000**

#### Water heating unit „Decon Mobile“

- › with built-in inductor incl.
- › chimney + add-on kit



**1520049800**

#### Dewatering pump\*\*\*

**1520041600**



\*\*\*The associated technical data can be found on page 26.

## Decon tent PZ 40 3 L

### Mass decontamination safe and fast

- › ready for use in only 5 minutes
- › optimized room layout
- › for up to 6 persons simultaneously
- › decontamination also of lying injured

Two longitudinal partitions divide the PZ 40 3 L into three decontamination lines: This allows you to decontaminate a large number of people within a very short amount of time. Use the middle line (1.85 m wide) to decontaminate lying injured. The outer lines (1.62 m wide) offer enough space for separate showers for men and women. The three shower units are also divided into a undressing, shower and dressing area. The continuous drip tray in the shower area prevents liquid from entering the rest of the tent. The separate water supply allows you to control the quantity or temperature of water individually. The colour coding of the openings in the tent tarpaulin provides practical orientation during use (blue: Water, red: Heating or power, green: compressed air). If required, you can easily connect the universal tents PZ 30 or PZ 40 as additional supply or accommodation tents with the PZ 40 3 L and thus extend the functional radius.



With the tent PZ 40 3 L you can decontaminate on three lines simultaneously.

## Technical data\*

Decon tent PZ 40 3 L	Setup time Sec.	Dimension, outside (L x W x H) m	Dimension, inside (L x W x H) m	Air requirement Liters	Pack size (L x W x H) m	Weight, approx. kg	Drip tray Liters
<b>40 m<sup>2</sup>, 3 lines</b> 1520035500	300**	8x5.5x3.1	8x5.1x2.9	6,863	1.1x0.95x1	212	2,610

\*Technical data subject to change. | Also available as 40 m<sup>2</sup> tent with 2 lines. PZ40 2L (1520048900) | \*\*when inflated with Vetter blower.

### The Vetter standard colours



Would you like a different colour?  
No problem! Just give us a call:  
**+49 (0) 22 52 / 30 08-0**

### Scope of delivery Decon tent PZ 40 3 L:

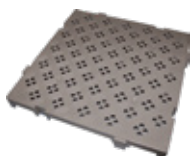
- › inflatable tent frame incl. tensioning ropes
- › removable tarpaulin with removable entrance tarpaulin
- › 6 doors (3 in each entrance tarpaulin)
- › 6 windows (3 in each entrance tarpaulin)
- › removable tent floor
- › 2 removable longitudinal partitions to divide the tent into the 3 lines
- › 3 separate shower units with removable shower curtains and shower hoses
- › Shower tub made of polyester fabric, PVC-coated on both sides (other qualities on request)
- › 3 decon hand showers and 3 decon brush units (2 showers per shower unit)

Each tent comes with an accessory bag including hammer, pegs and repair material. All equipment is delivered in a practical packing unit. A scissor roller conveyor and corresponding spineboards are optionally available.

### Recommended accessories

#### Floor gratings for decon shelters

- › 50 x 50 x 5 cm
- › gray



**1520039000**

#### Dewatering pump\*\*\*

**1520041600**



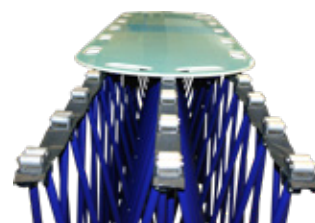
#### For decontamination of lying injured

- › Scissors roller conveyor

**1520039700**

- › Spineboard

**1520039400**



\*\*\*The associated technical data can be found on page 26.

# Decon showers

## The mobile decon unit for rapid use

- › self-erecting
- › extensive professional equipment
- › easy to integrate into the decon line

Vetter decontamination showers are highly mobile, lightweight and fit on any emergency vehicle. The upstream tank prevents contaminated liquids from being carried away. Clever magnetic locks for quick opening and closing of shower curtains save valuable time in an emergency. With the integrated gloves, you can safely clean contaminated people from the outside. The raised support frame of our decontamination showers enables an ergonomic body posture. Eight movable shower nozzles at different heights guarantee thorough cleaning. Subsequently, the contaminated liquids are drained off in a controlled manner via the drain in the insertion trough and without the use of a submersible pump. The robust overall construction of the Vetter decontamination showers with special abrasion protection on the underside is extremely durable. In combination with a universal tent, the Vetter decontamination showers also have an undressing and dressing area.





Inflation can be carried out by compressed air bottle or blower.



Double decon showers are particularly suitable for the decontamination of lying injured persons.



### In operation ...



- › during epidemics
- › for the decontamination of patients in front of hospitals
- › in decontamination lines
- › in case of terrorist attacks or in case of war
- › as employee or patient shower in mobile hospitals



### Good reasons:

- › quickly ready for use
- › can be combined with Vetter universal tents
- › easy cleaning of the showers with detachable components
- › everything a professional needs



### Guaranteed quality:

- › Individual test (seal of approval)
- › integrated safety valve against overfilling
- › Support frame made of robust material



The raised support frame enables ergonomic working in the field.



The integrated hand shower enables thorough cleaning.



The non-slip floor gratings prevent contact with contaminated water.

# Decon showers

## Recommended accessories

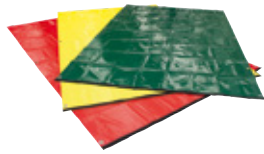
### Coloured tarpaulins for decon line

- › PVC
- › 2.5 x 4 m

▶ **1513002701** ● (yellow)

▶ **1513000901** ● (green)

▶ **1513000801** ● (red)



### Dewatering pump\*

▶ **1520041600**



### Floor gratings for decon shelters

- › 50 x 50 x 5 cm
- › grey

▶ **1520039000**



### Decon brush-unit

- › for shower tents / showers

▶ **1510001700**



### Decon hand – shower unit

- › Quick-stop function

▶ **1510014700**



### Water heating unit "Decon mobile"

- › incl. chimney + add-on kit

▶ **1520049800**



### Closed water tank (CWT)

- › Size: 500l
- › for collecting / intermediate storage of leaking liquids
- › Waste water storage

▶ **1510008300**



\*The associated technical data can be found on page 26.



## Technical data\*

Decon shower	Compact shower (basic version) 1513000102	Decon shower (professional version with gloves and drain) 1513001801	Double decon shower 1513009700
<b>Erection time</b> Sec.**	20	30	40
<b>Dimensions, outside (L x W x H)</b> m	1.56 x 1.56 x 2.2	2.76 x 1.56 x 2.2	5.54 x 2.36 x 2.85
<b>Dimensions, inside (L x W x H)</b> m	1.2 x 1.2 x 2.2	2.4 x 1.2 x 2.2	5.18 x 2.0 x 2.07***
<b>Tub height</b> cm	20	20	20
<b>Air requirement</b> Liters	682	738	2,000
<b>Capacity</b> Liters	300	770	1,234
<b>Ø Flowrate</b> liter/min.	25	25	25
<b>Pack size (L x W x H)</b> m	1.1 x 0.72 x 0.3	1.1 x 0.72 x 0.3	1.1 x 0.85 x 0.4
<b>Weight, approx.</b> kg	24–29	27–32	71

\*Technical data subject to change. | \*\*When inflated with a compressed air cylinder, 6 liters / 300 bar | \*\*\*Side height

### Scope of delivery Vetter decon showers:

- › Inflatable support frame incl. tensioning cables
- › Removable shower hose and shower curtain
- › interchangeable polyester fabric insert tub, PVC coated on both sides (other qualities on request)
- › 8 movable nozzles mounted at different heights
- › mounting device for an additional hand shower

Each shower comes with an accessory bag including ground nails and repair material. All equipment is supplied in a handy pack bag with handles.



## Tent customization / individualization

We fulfill your requirements individually and quickly.

Are you looking for a tent that provides the best possible support for your deployment and a standard tent is out of the question? Then you've come to the right place with Vetter. Complete freedom of design for individual tents – you will only find this with us: We manufacture your desired configuration to measure.

### Your tent customization service

At Vetter, a lot of work is done by hand. This is why we can also guarantee the greatest care and the best quality for individual series. Take advantage of our decades of experience as an expert in emergency pneumatics to develop and build the ideal tent for you.



Together we will find the right solution for every application. Ask us!  
**+49 (0)2252 / 3008-0, [vetter.info@idexcorp.com](mailto:vetter.info@idexcorp.com), [vetter.de](http://vetter.de).**



### There are no limits in terms of variation options:



Equipment with an insulation tarpaulin or / and an inner tent



Cross and longitudinal partitions in any combination



Window only with fly screen or additionally with polyglass



Free choice of shape and number of windows and doors



Patented fastening net



Removable base (inside only) or completely removable



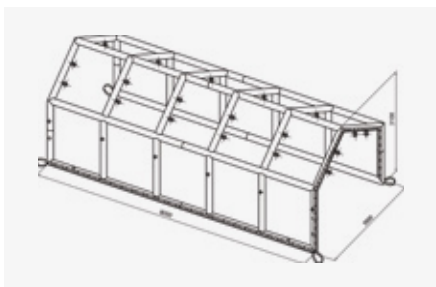
Docking facilities for tents and containers



Additional bushings in the tarpaulins for cable or heating



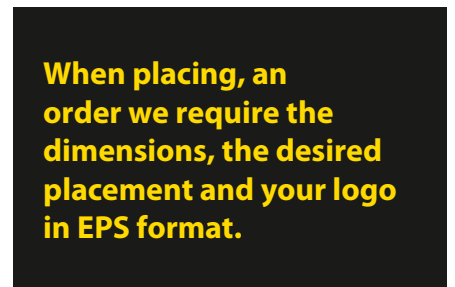
Special colours can also be selected and colours can be combined



Special sizes on request



Labeling according to your requirements



**The listed variations represent only an example of the options available to you. Can't find the variant you're looking for? Just give us a call!**

# Inflation and deflation – Pneumatic tents

## Inflating

### Compressed air cylinder

- › 6 l/300 bar, steel
- › 5/8" IG, 1,800 l

▶ **1600010800**



- › 9 l/300 bar, composite
- › 5/8" IG, 2,700 l

▶ **1600019900**

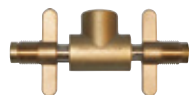
### Dual connector

- › for simultaneous connection of 2 compressed air bottles
- › thread 5/8"

▶ **200 bar: 1600008400**



▶ **300 bar: 1600009100**



### Pressure regulator 200/300 bar

- › max. outlet pressure 14 bar

▶ **1600031900**



### Inflation hose for PZ 30 + PZ 40

- › with brass nipple

▶ **1520033800**



### Blower 0.14–0.4 bar

- › Electrical
- › Volume flow, max.: 1,200 l/min.
- › volume flow with booster, max.: 2,000 l/min.
- › Power, max: 1,000 W
- › Power with booster, max: 2,000 W
- › Mains voltage: 230/50 V/Hz
- › dimensions (L x W x H): 32 x 17 x 26 cm
- › weight, approx.: 4.1 kg



▶ **230 V: 1523017700**

### Filling hose 1.5 m

- › for blower 0.14 – 0.4 bar

▶ **1523021100**



## Deflating

### Vacuum adapter

- › for quick and complete deflation of the support frame, quick coupling is connected to air source, pressure should be between 4 – 8 bar

▶ **1700018300**



### Adapter

- › from claw coupling to brass filling connection

▶ **1600012000**



## Equipment – Pneumatic tents

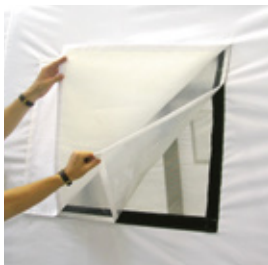
### Windows and tent walls



#### Window

- › with fly screen tarpaulin

▶ **1520020600**



#### Window

- › with fly screen, tarpaulin and additional windscreen foil (polyglass)

▶ **1520025700**



#### Duct opening

- › (additional) for cable or heating, with velcro and fleece

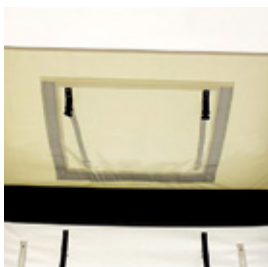
▶ **1520020500**



#### Insulation cover

- › for protection against extreme temperatures

▶ **1520026000**



#### Printed window

- › with cover tarpaulin for darkening inside and protective film (polyglass) outside

▶ **1520041300**

## Equipment – Pneumatic tents



### Ventilation flap

- › for better aeration and ventilation, mounted in the gable

➤ **1520025800**



### Tent print\*

- › monochrome, on one outer side

➤ **1520022400**



### Printed cover\*

- › monochrome, 1,300 x 600 mm

➤ **1520025600**



### Separation walls, transverse\*\*

➤ <b>PZ 12: 1520004100</b>	➤ <b>PZ 17: 1520001100</b>	➤ <b>PZ 20: 1520005600</b>
➤ <b>PZ 25: 1520014500</b>	➤ <b>PZ 30: 1520010201</b>	➤ <b>PZ 40: 1520011401</b>

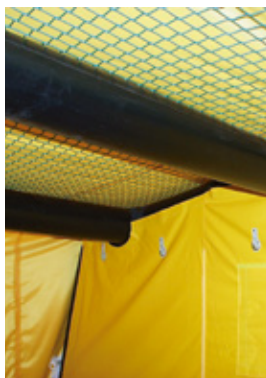
### Additionally required:

Fastening for partition wall attachment (for all tents)

➤ **1520002600**

\*Please indicate colour on request / positioning in your order. | \*\*Suspension for the partition walls is not included in the standard.

Partition walls (longitudinal) are available on request. Ask us!  
**+49 (0)2252 / 3008-0, [vetter.info@idexcorp.com](mailto:vetter.info@idexcorp.com), [vetter.de](http://vetter.de).**



**Patented net for ceiling area**

- › Incl. fastening

- ▶ **PZ 12: 1520004400**
- ▶ **PZ 17: 1520002700**
- ▶ **PZ 20: 1520020000**
- ▶ **PZ 25: 1520005700**
- ▶ **PZ 30: 1520010400**
- ▶ **PZ 40: 1520011700**



**Ballast tank**

- › 2 ballast tanks required per tent for better
- › protection in strong winds

- ▶ **PZ 12: 1520003200**
- ▶ **PZ 17, PZ 20, PZ 25: 1520000700**
- ▶ **PZ 20 Decon, PZ 30: 1520007500**
- ▶ **PZ 40, PZ 40 3 L: 1520010900**

## Lamps

**Plug and socket IP 54**

- › splash-proof

- ▶ **2 x 36 watt: 1520038600**
- ▶ **2 x 55 watt: 1520038900**



**Plug and socket IP 68**

- › Protection against water ingress during permanent submersion

- ▶ **2 x 36 watt: 1520038700**
- ▶ **2 x 55 watt: 1520038800**



**Plug and socket IP 68 | LED lamp**

- › Protection against water ingress during permanent submersion

- ▶ **36 watt: 1700061300**



## Climate control – Pneumatic tents

### Tent heaters ATK 25 (automatic oil heater)

- › Heating capacity: 22.5 kW
- › Nominal heat load, max: 25 kW
- › Air performance: 1,080 m<sup>3</sup>/h
- › Supply voltage: 230/50 V/Hz
- › Fuel: Heating oil EL/Diesel
- › Fuel consumption, max: 2.4 kg / h
- › Tank volume: 40 liters
- › exhaust connection Ø: 150 mm
- › Dimensions (LxWxH): 126.5x47x68.5 cm
- › Weight, approx.: 68 kg



Set: 1523034500

### Tent heaters K 30 T (automatic oil heater)

- › Heating capacity: 29 kW
- › Nominal heat load, max: 32 kW
- › Air performance: 2,050 m<sup>3</sup>/h
- › Supply voltage: 230/50 V/Hz
- › Fuel: Heating oil EL/Diesel
- › Fuel consumption, max: 2.5 kg / h
- › Tank volume: 35 liters
- › Exhaust connection Ø: 2x205 mm
- › dimensions (LxWxH): 145x68x82 cm
- › Weight, approx.: 85 kg



Set: 1523034600

Are you looking for intelligent solutions for cooling and heating systems? Ask us!  
**+49 (0)2252 / 3008-0, [vetter.info@idexcorp.com](mailto:vetter.info@idexcorp.com), [vetter.de](http://vetter.de).**



# Water supply – Pneumatic tents

## Water supply

### Fresh water pump

- › incl. suction hose and strainer basket
- › suction connection: R 1" IT
- › Pressure connection: R 1" OT mounted with Storz-D-coupling
- › Flow rate: 88 l / min.
- › mains voltage: 230 / 50 V / Hz
- › speed: 2,900 R / min.
- › Schuko IP 68
- › Protection class: 44° F / IP
- › Mains fuse: 16 A / min.
- › Suction height max.: 8 m
- › power consumption: 1.3 kW
- › Nominal pressure: 5.5 A
- › Dimensions (L x W x H): 42 x 29 x 40 cm
- › Weight, approx.: 13 kg



**1520015800**

### Mixing unit for detergent

- › incl. suction hose
- › connection: Storz-D
- › operating performance: 10 l / h
- › Operating overpressure: 6 bar
- › Operating temperature max.: 40 °C
- › Dosing quantity: 0.05–150 l / h
- › Dosage: 0.5–5 %
- › Dimensions (L x W x H): 40 x 60 x 70 cm
- › Weight, approx.: 8.9 kg



**1520016000**

### Water heating unit "Decon mobile"

- › „Decon Mobil“ with integrated mixer incl. exhaust tube and hose connection piece
- › Throughput, approx: 50 l / min max.
- › Working pressure: 15 bar max. (integrated pressure reducer up to 6 bar)
- › Water temperature: 30°C–70°C
- › Internal burner thermostat: adjustable up to max. 140°C
- › Flame control system: thermally controlled
- › Net heating capacity, approx: 90 kW
- › Diesel consumption, approx: 7.8 l / h (calculated for continuous operation)
- › Power connection / alternating current: 230 V / 50 Hz / 0.3 KW
- › Electrical control: 24 V low voltage
- › Dimensions (L x W x H), approx.: 89 x 57 x 80 cm
- › weight (net), approx.: 70 kg (Without tank filling)



**1520049800**

### Hose

- › 15 m
- › Storz D



**1523029500**

## Water supply – Pneumatic tents

### Water distributor

- › 4-way distributor, Storz D
- › e. g. for simultaneous operation of max. 4 showers



▶ **1520015600**

### Water supply hose

- › made of rubber, wound, dimensionally stable
- › suitable for hot water
- › Length: 2 m



▶ **1520015500**

## Waste water management

### Mini-permanent aspirator MPA 2.0 MWF

- › incl. IP 68 plug

▶ **2220003200**

▶ **Special Edition: 2220003500**



### Open water tank\* (OWT)

- › Sizes: 1,000 – 5,000 l
- › for the collection / intermediate storage of leaking liquids, Waste water storage



▶ **on request**

### Flat suction nozzle

- › for aspirator

▶ **1700014701**



### Closed water tank (CWT)

- › Sizes: 500–5,000 l
- › for collecting / intermediate storage of leaking liquids, Waste water storage



▶ **on request**

### Dewatering pump with flat suction

- › Coupling Storz-D
- › Flow rate: max. 200 l / min.
- › Motor: 230 V alternating current
- › Schuko IP 67
- › discharge head: 10 m (WS)
- › output P1 / P2: 700 / 380 W
- › rated current: 3.3 A
- › Dimensions: Ø 17.5 x 28 cm
- › weight, approx.: 6.9 kg



▶ **1520041600**

\*Storz C, please indicate in your order

### Adaptor Storz C-D

- › as connection from waste water hose to water tank



▶ 1700011300

### Waste water hose

- › Storz C, dimensionally stable
- › length: 5 m



▶ 1700065500

## Other accessories

### Decon brush-unit

- › for shower tents/showers



▶ 1510001700

### Decon hand-shower unit

- › with Quick-stop function



▶ 1510014700

### Hand shower with PVC rod

- › for shower tents/showers



▶ 1510007100

### Adapter D-Storz with quick release coupling

- › for connecting the decon sprayer to the water supply



▶ 1700009500

### Floor gratings for decon shelters

- › 50x50x5 cm
- › gray



▶ 1520039000

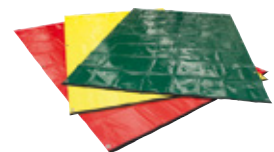
### Coloured tarpaulins for decon line

- › PVC
- › 2.5x4 m

▶ 1513002701 ● (yellow)

▶ 1513000901 ● (green)

▶ 1513000801 ● (red)



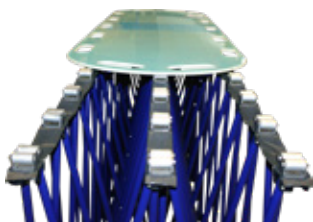
### Decontamination of non-ambulant persons

- › Expandable roller conveyor

▶ 1520039700

- › Spineboard

▶ 1520039400



# Vetter resistance list

## Convincing with transparency

Please note: The information in our resistance list is based on laboratory tests and empirical values. A material reacts more quickly to chemicals when strained than at rest. This means that the greater the elongation, the lower the resistance to chemicals. In addition, the resistance also depends on the thickness of the material, which influences the diffusion. In addition, other variable factors, such as temperature, intensity or exposure time, also have an influence on the resistance.

The values given can therefore deviate in the concrete application scenario and are to be understood here only as reference points. We would be pleased to provide you with material samples for our own chemical resistance tests.

### Legend

+ Resistant

- Not resistant

o Conditionally resistant

n.d. no data

### Temperature resistance

Products	cold-resistant	cold-flexibel	heat-resistant, long-term	heat-resistant, short term
<b>Collecting containers and tubs</b>				
Rubber support frame	-40 °C	--	+ 70 °C	--
PVC support frame	- 30 °C	--	+ 70 °C	--
PVC tubs	-25 °C	--	+ 100 °C	--
Alcryn tubs	-25 °C	--	+ 70 °C	--
<b>Pneumatic tents and decontamination showers</b>				
Rubber support frame	- 40 °C	- 20 °C	+ 70 °C	+ 85 °C
PVC support frame	- 30 °C	--	+ 70 °C	--
Tent floor PVC	- 25 °C	--	+ 100 °C	--
Tent cover PVC	- 25 °C	--	+ 100 °C	--
Tent cover PU	- 40 °C	--	--	+ 50 °C
Packing bags and tarpaulins	-20 °C	--	+50 °C	--

### Material list

Products	Material	Carrier material
Collecting container (support frame)	CR	Polyester
Decon showers (support frame)		
Tent frame	CR	Polyester
<b>Water tanks</b>		
Tent floor	PVC	Polyester
Packing bags and tarpaulins		
Acid protective covers Insertion trays		
Packing bags and tarpaulin cover		
Inner basin collection container	Alcryn	Polyester
Inner basin collection tubs		
tent cover	PU	Polyester

## Resistance list\*

Substance name	CR	PVC	TPU hazardous material tanks, outer side	TPU Hazardous material tanks, inner surface	PU
Acetone	o	-	n.d.	n.d.	+
Acetylene	+	o	n.d.	n.d.	o
Alum (aqueous)	+	+	n.d.	n.d.	+
Aluminum chloride	+	o	o	o	o
Aniline	-	-	-	-	+
ASTM oil 1	o	n.d.	n.d.	n.d.	+
Petrol	o	-	+	+	-
Benzene	-	-	-	-	-
Boric acid	+	+	o	+	o
Bromine (moist)	-	-	n.d.	n.d.	o
Butyric acid	-	o	-	-	o
Chlorine gas (moist)	-	-	n.d.	n.d.	o
Chlorine (wet)	o	n.d.	n.d.	n.d.	-
Diesel	o	o	n.d.	n.d.	+
Ferric chloride	+	+	+	+	o
Petroleum	o	o	+	+	+
Acetic acid	o	o	-	-	-
Fatty acids	+	n.d.	n.d.	n.d.	o
Formaldehyde	+	n.d.	n.d.	n.d.	o
Glucose	+	+	+	+	+
Fuel oil	+	+	n.d.	n.d.	o
Potassium chloride	+	o	+	+	o
Calcium chloride	+	o	o	+	o
Calcium nitrate	+	n.d.	n.d.	n.d.	+
Carbon dioxide	+	+	n.d.	n.d.	+
Carbon monoxide	+	-	n.d.	n.d.	+
Copper sulphate	+	o	o	o	o
Glue	+	n.d.	n.d.	n.d.	o
Sea water	+	o	-	+	+
Methyl chloride	-	o	-	-	-
Mineral oils	+	+	+	+	+
Sodium carbonate	+	-	n.d.	n.d.	+
Ozone	+	n.d.	+	+	o
Paraffin wax	+	n.d.	+	+	+
Perchloric acid	o	n.d.	-	-	-
Phenol (aqueous)	-	-	n.d.	n.d.	o
Phosphoric acid (concentrated)	-	+	n.d.	n.d.	-
Mercury	+	o	+	+	+
Nitric acid (fuming)	-	+	-	-	-
Sulfur dioxide (dry)	-	o	n.d.	n.d.	o
Sulfuric acid (50 %)	+	o	-	o	-
Nitrogen	+	n.d.	n.d.	n.d.	+
Carbon tetrachloride	-	o	n.d.	n.d.	o
Animal fats	+	n.d.	+	+	o
Toluene	-	-	-	-	-

\* Technical data subject to change. | + Resistant | o Conditionally resistant | - Not resistant | n. d. no data



## Part of the international IDEX Corporation

Vetter is part of the international IDEX Corporation. IDEX invests in successful SMEs in highly specialised markets. All members of the Group are characterised by their technical orientation and high innovational strength.

Alongside Vetter, the IDEX Rescue division includes several of the strongest brands in the fire and rescue service sector: among others, the American manufacturer of hydraulic rescue cutters HURST – JAWS OF LIFE and the traditional German company LUKAS Hydraulik.

Our customers benefit from this in two ways: on the one hand from our international application knowledge and on the other from intensive know-how transfer within the Group. This know-how is incorporated directly into the development of the well thought-through and efficient products of Vetter.



[idexcorp.com](http://idexcorp.com)



## The complete provider for emergency pneumatics

Vetter stands for sound technological knowledge and intensive cooperation with fire services throughout the world. Based on this, we develop high-quality pneumatic products that are tested in practice and are indispensable in many rescue areas and operational scenarios.

Rescue Products

Hazardous material program

Pneumatic tents and showers

Oil and water aspirators

Airshore

Aircraft Recovery

Truck Recovery

Industrial pneumatic

Inspection, sealing & rehabilitation technology

You will find all our products, detailed information and catalogues to download on the internet at: [vetter.de](http://vetter.de)

## **Place your trust in emergency pneumatics!**

We will be able to help you.

### **Vetter GmbH**

A Unit of IDEX Corporation

Blatzheimer Str. 10–12  
53909 Zülpich  
Germany

Sales

Tel: +49 (0) 22 52 / 30 08-0  
Fax: +49 (0) 22 52 / 30 08-590  
E-Mail: [vetter.info@idexcorp.com](mailto:vetter.info@idexcorp.com)

**[vetter.de](http://vetter.de)**